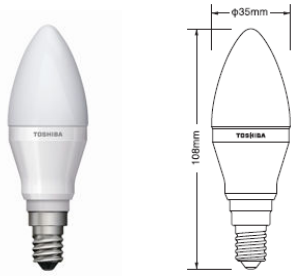


Specification sheet



Product description
Model name
Product Code
EAN code
ITF code

Toshiba LED LAMP E-CORE
LDCC0627FE4EUD
218-50397
4974550426626
14974550426623

■ The strong point of TOSHIBA E-CORE LED Lamp

- Low energy and high efficacy.
- Mercury Free
- Instant illumination
- Low Heat Radiation
- Low UV radiation

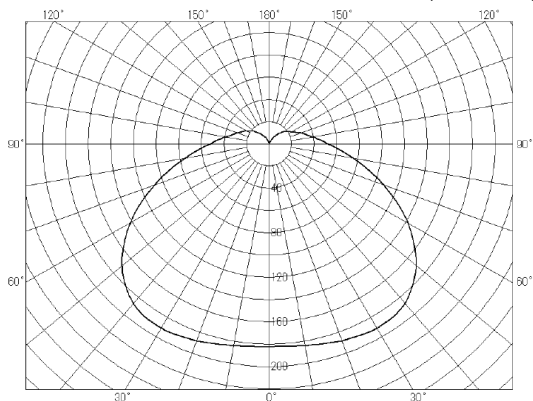
■ Technical DATA

Rated Voltage (V)	220-240
Rated Wattage (W)	6.0
Frequency (Hz)	50 / 60
Rated Input Current (mA)	40
Power Factor	0.65
Luminous Flux(lm)	250
Colour Description	Warm White
Colour Temperature (K)	2700
Colour Rendering Index (Ra)	80
Beam Angle (°)	-
Lamp Finish	Frost
Lamp Efficacy (lm / W)	41.7
Rated Lamp Lifetime (h)	20,000
Lumen Maintenance	70% at the rated lamp lifetime
Number of Switching Cycle	over 20000 times
Dimming	Dimmable
Overall Length (mm)	108.0
Diameter (mm)	35
Net Weight (g)	68
Cap	E14
Starting Time (s)	<0.5
LED Min Lumens to claim wattage equivalence (W)	25

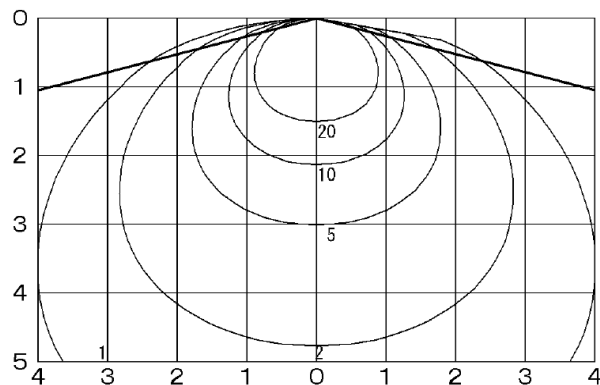
■ Packaging Details

Packaging Type(Std.Pkg.Q'ty)	Dimensions (L×W×H)	Gross Weight (g)	EAN / ITF CODE
Gift Box (1pce)	61mm×61mm×128mm	110g	4974550426626
Outer carton (10pcs)	395mm×193mm×162mm	1490g	14974550426623

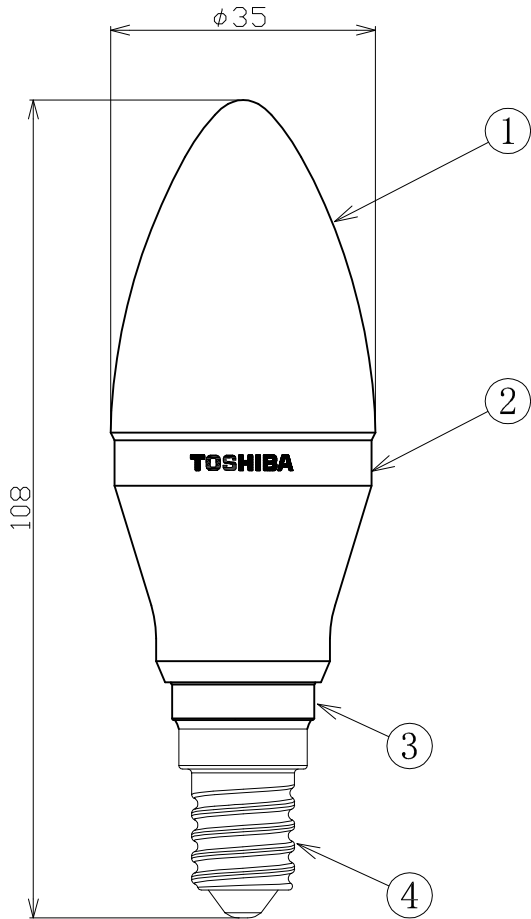
LUMINOUS INTENSITY DISTRIBUTION CURVE (cd / 1000lm)



[Height (m)] [Unit (lx)]



- * • Some dimmers may cause flickering and no dimming at lower control level.
 • When the dimmer is connected to numerous lamp, it may not be possible to dim the light to the lowest possible level.
 • When dimming numerous lamps, respective colour or the timing of light out may differ.
 • When turning on the light from 100% dimming, it may not turn on.



General Characteristics		
1	Rated Voltage (V)	220-240
2	Rated Wattage (W)	6.0
3	Frequency (Hz)	50 / 60
4	Rated Input Current (mA)	40
5	Power Factor	0.65
6	Luminous Flux (lm)	250
7	Colour Description	Warm White
8	Colour Temperature (K)	2700
9	Colour Rendering Index (Ra)	80
10	Beam Angle (°)	-
11	Lamp Finish	Frost
12	Lamp Efficacy (lm/W)	41.7
13	Rated Lamp Lifetime(h)	20,000
14	Lumen Maintenance	70% at the rated lamp lifetime
15	Number of Switching Cycle	over 20,000 times
16	Dimming	Dimmable
17	Overall Length (mm)	108
18	Diameter (mm)	35
19	Net Weight (g)	68
20	Cap	E14
21	Starting time (s)	<0.5
22	LED Min Lumen to claim wattage equivalence (W)	25

No.	Part	Material
①	Globe	PC
②	Body	ADC12
③	Capper	PBT
④	Cap	Brassr

Safety Information

- ⚠ WARNING**
- Do not cover this product with paper or cloth, or put it close to anything easy to burn, otherwise, fire may occur.
 - Some dimmers may cause flickering and no dimming at lower control level.
 - When the dimmer is connected to numerous lamp, it may not be possible to dim the light to the lowest possible level.
 - When dimming numerous lamps, respective colour or the timing of light out may differ.
 - When turning on the light from 100% dimming, it may not turn on.
 - When the voltage at the power supply is distorted, flickering may occur.
 - When the AC voltage fluctuates at power supply, it may result in no dimming at lower control level or no light.
 - Turn off the power before attaching a lamp to a lighting device, before detaching a lamp from a lighting device, or before cleaning a lighting device, otherwise, you may have an electric shock.

- ⚠ CAUTION**
- Do not use this product in a way of being exposed to rain or raindrops, nor at a high level of humidity, otherwise, it may be damaged.
 - Do not drop a lamp, nor have it hit some object, nor put a heavy load on it, nor apply any excessive pressure.
 - Do not touch a lamp with your hand or skin when it is on or soon after it is turned off because it is hot, otherwise, you may have a burn.
 - Attach this product to a socket firmly, otherwise, it may drop off, or may overheat or emit smoke because of bad contact.
 - Use this product in the range of 5°C-40°C (41°F-104°F).
 - If a lamp does not normally light, e.g., if it flashes sporadically, turn off the power and replace the lamp.
 - Do not look at LED device directly.
 - Do not spray a pesticide over this lamp.

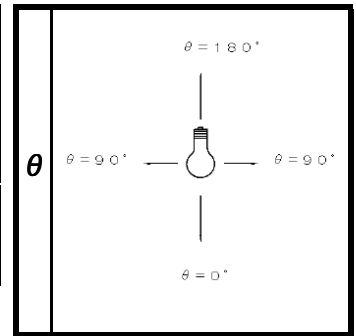
MODEL NO.		DESCRIPTION	
LDCC0627FE4EUD		TOSHIBA LED LAMP E-CORE	
APPROVED BY	CHARGED BY	DRAWING NO.	—
<i>M. Kamata</i>	<i>K. Ogawa</i>		
3rd ANGLE	SCALE: —	BA2011-00086-01	—
UNIT: mm			

TOSHIBA LIGHTING EQUIPMENT ENGINEERING DATA SHEET

NAME	LED Lamp "E-CORE"
MODEL NO.	LDCC0627FE4EUD
COVER	
OPTION NO.	
OPTION SPEC	

EFFICIENCY		
F		%
F		%
F		100 %
LUMINAIRE LUMEN OUTPUT		250 lm

SHRmax		
A-A (SPACING CRITERIA ACROSS)	1.6	H
B-B (SPACING CRITERIA ALONG)	1.6	H
WATTAGE		
	6	W



REMARKS

THE DATA IS EARLY TYPICAL VALUE.

LUMINOUS INTENSITY (cd/1000lm)			
θ	A-A	B-B	C-C
0°	182		
10°	184		
20°	188		
30°	191		
40°	187		
50°	170		
60°	142		
70°	108		
80°	76		
90°	52		
100°	39		
110°	30		
120°	24		
130°	18		
140°	12		
150°	7		
160°	3		
170°	1		
180°	0		

REF-LEC-TANCE (%)	CEILING	80						70						50						30		20		0	
	WALL	70		50		30		70		50		30		50		30		30		10		0			
	FLOOR	30	10	30	10	30	10	30	10	30	10	30	10	30	10	30	10	30	10	30	10	30	10	0	
ROOM INDEX	UTILIZATION FACTOR (× 0.01)																								
0.60	54	49	38	36	29	28	51	47	37	35	28	28	34	33	27	26	25	24	20	17					
0.80	64	58	48	45	38	37	60	55	46	44	37	36	43	41	35	34	33	32	27	24					
1.00	73	65	57	53	47	44	69	62	55	51	45	43	51	48	42	41	40	39	33	30					
1.25	80	71	65	60	55	51	76	68	62	58	53	50	57	54	49	47	46	45	39	35					
1.50	86	76	72	65	61	57	81	72	69	63	59	55	63	59	55	52	51	49	44	40					
2.00	94	82	82	73	72	65	89	79	78	70	69	64	71	66	64	60	59	57	51	47					
2.50	99	86	88	78	79	71	94	82	84	75	76	69	76	71	70	65	64	62	56	52					
3.00	103	88	93	81	84	75	97	85	88	79	81	73	80	74	74	69	68	65	60	56					
4.00	108	92	100	86	92	81	102	89	95	84	88	79	86	78	81	74	74	70	66	61					
5.00	111	94	104	89	97	85	105	91	99	87	93	82	89	81	85	78	77	74	69	64					
10.00	118	99	114	96	110	93	112	96	108	93	104	91	97	88	94	86	86	81	77	72					

